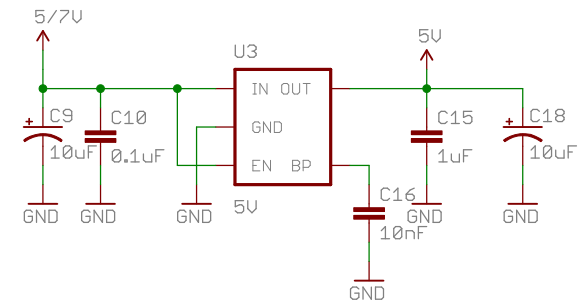
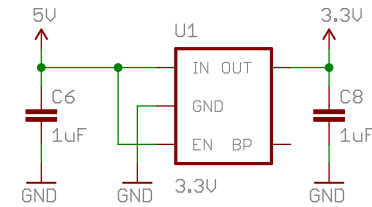


+3.3V Power Supply



TITLE: Arduino OBD2 Shield v01

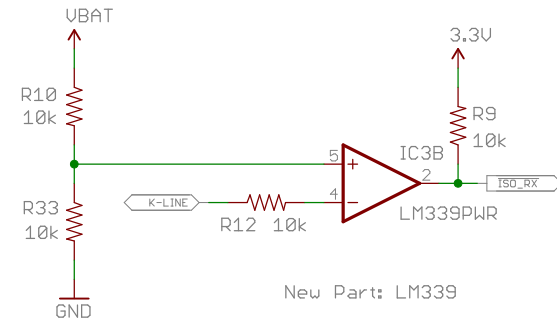
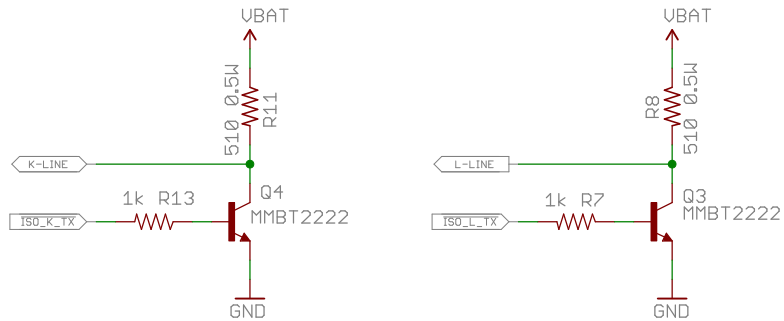
Document Number:

REV:

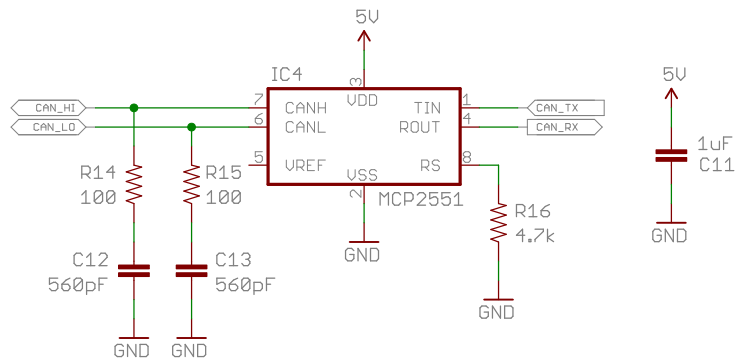
Date: 5/12/2012 10:48:17 µµ

Sheet: 2/4

ISO Transceiver

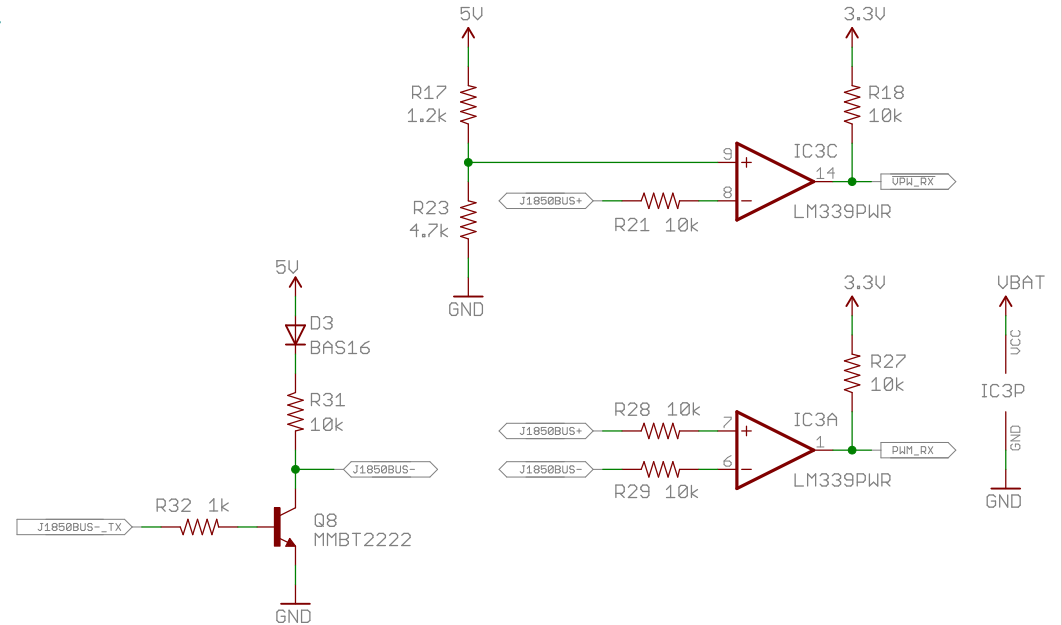


CAN Transceiver

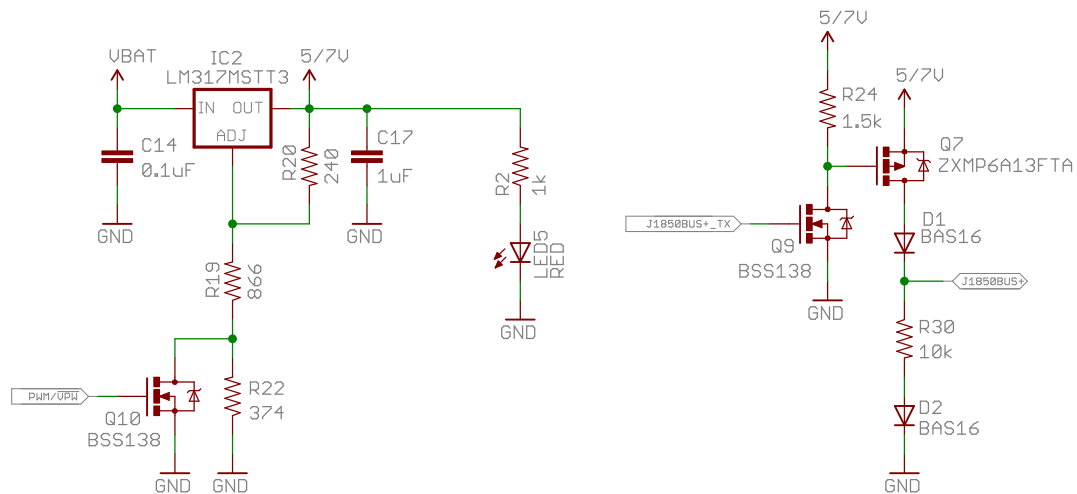


TITLE: Arduino OBD2 Shield v01	
Document Number:	REV:
Date: 5/12/2012 10:48:17 μμ	Sheet: 3/4

J1850 Transceiver



Selectable 5.76V or 7.71V



New Parts: 866, 374

TITLE: Arduino OBD2 Shield v01	
Document Number:	REV:
Date: 5/12/2012 10:48:17 μμ	Sheet: 4/4